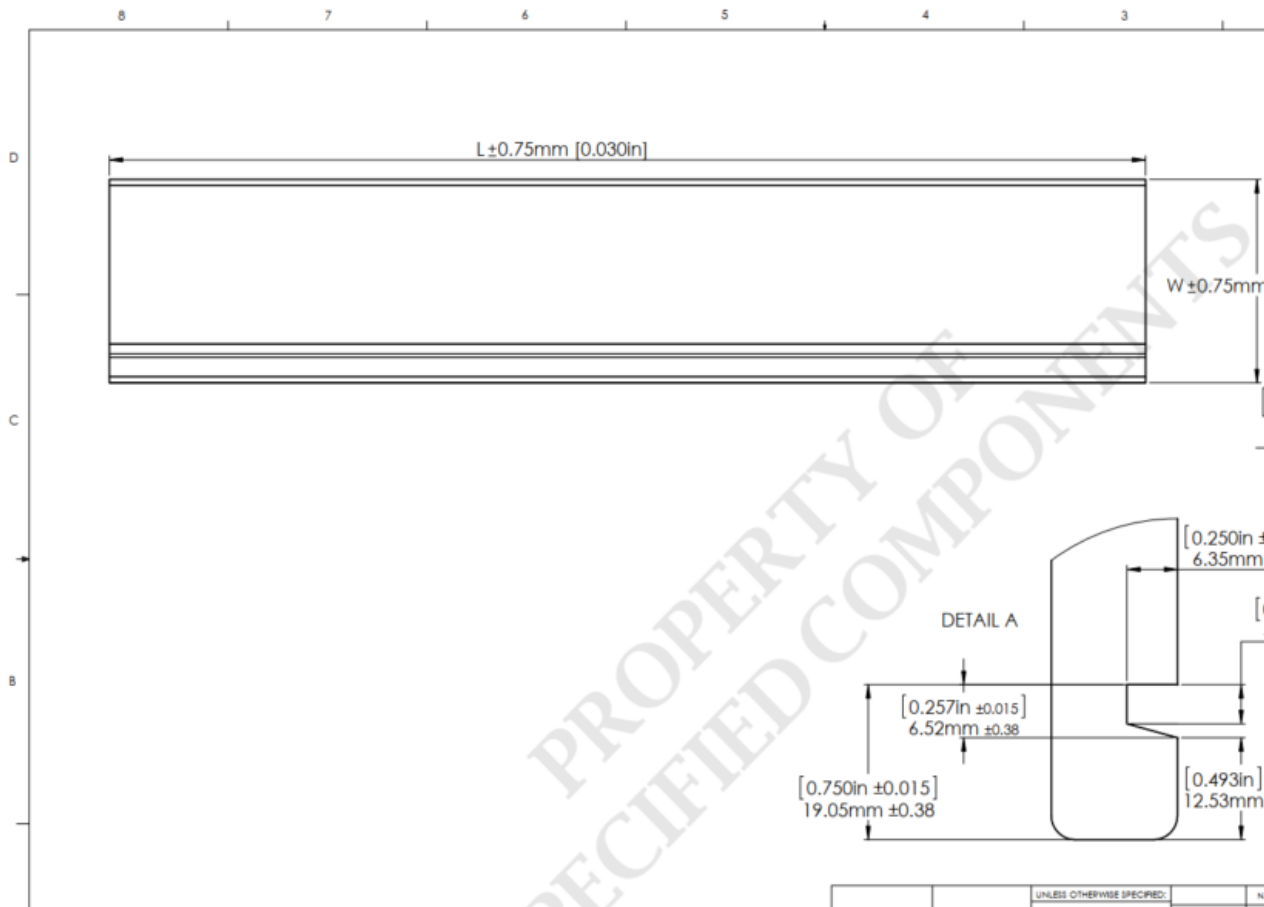
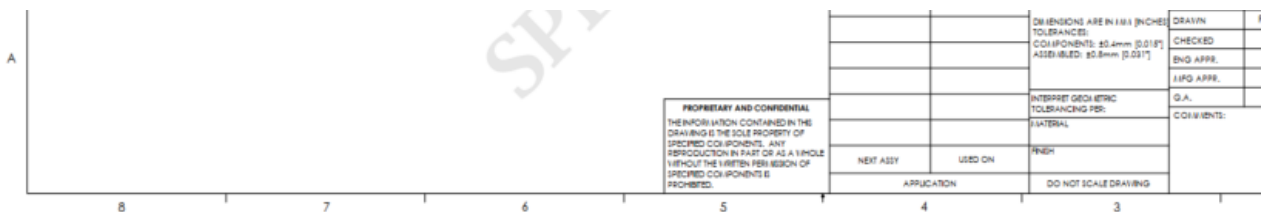


NOTE: Sold as full pa
 NOTE: All product su
 FOB: Minneapolis, M

Available as of 4,

Species	SCC Part No.	Description	Thick"	Width"	Length"	SF/PC	Qty (PCS)	Pcs/Pallet	No. of Plt
Poplar	WH-099.2000	A/B Grade, F/B	0.625	4.016	8.606	0.240	3360	560	6
Poplar	WH-099.2005	A/B Grade, F/B	0.625	4.016	11.606	0.324	966	483	2
Poplar	WH-099.2010	A/B Grade, F/B	0.625	4.016	14.606	0.407	1260	630	2
Poplar	WH-099.2020	A/B Grade, ROS F/B	0.625	4.016	19.500	0.544	1260	420	3
Poplar	WH-099.2025	A/B Grade, F/B	0.625	4.016	20.606	0.575	3780	630	6
Poplar	WH-099.2030	A/B Grade, F/B	0.625	4.016	23.606	0.658	2800	280	10
Poplar	WH-099.2035	A/B Grade, ROS F/B	0.625	4.016	25.500	0.711	3920	280	14
Poplar	WH-099.2040	A/B Grade, F/B	0.625	4.016	26.606	0.742	1680	280	6
Poplar	WH-099.2045	A/B Grade, ROS F/B	0.625	4.016	31.500	0.878	560	280	2
Poplar	WH-099.2060	A/B Grade, F/B	0.625	7.992	11.606	0.644	3240	405	8
Poplar	WH-099.2065	A/B Grade, F/B	0.625	7.992	14.606	0.811	4500	180	25
Poplar	WH-099.2067	A/B Grade, F/B	0.625	7.992	23.606	1.310	3375	135	25
Poplar	WH-099.2068	A/B Grade, F/B	0.625	7.992	26.606	1.477	945	135	7
Poplar	WH-099.2069	A/B Grade, F/B	0.625	7.992	29.606	1.643	2025	135	15
Poplar	WH-099.2250	A/B Grade, F/B	0.625	2.008	47.992	0.669	3080	140	22

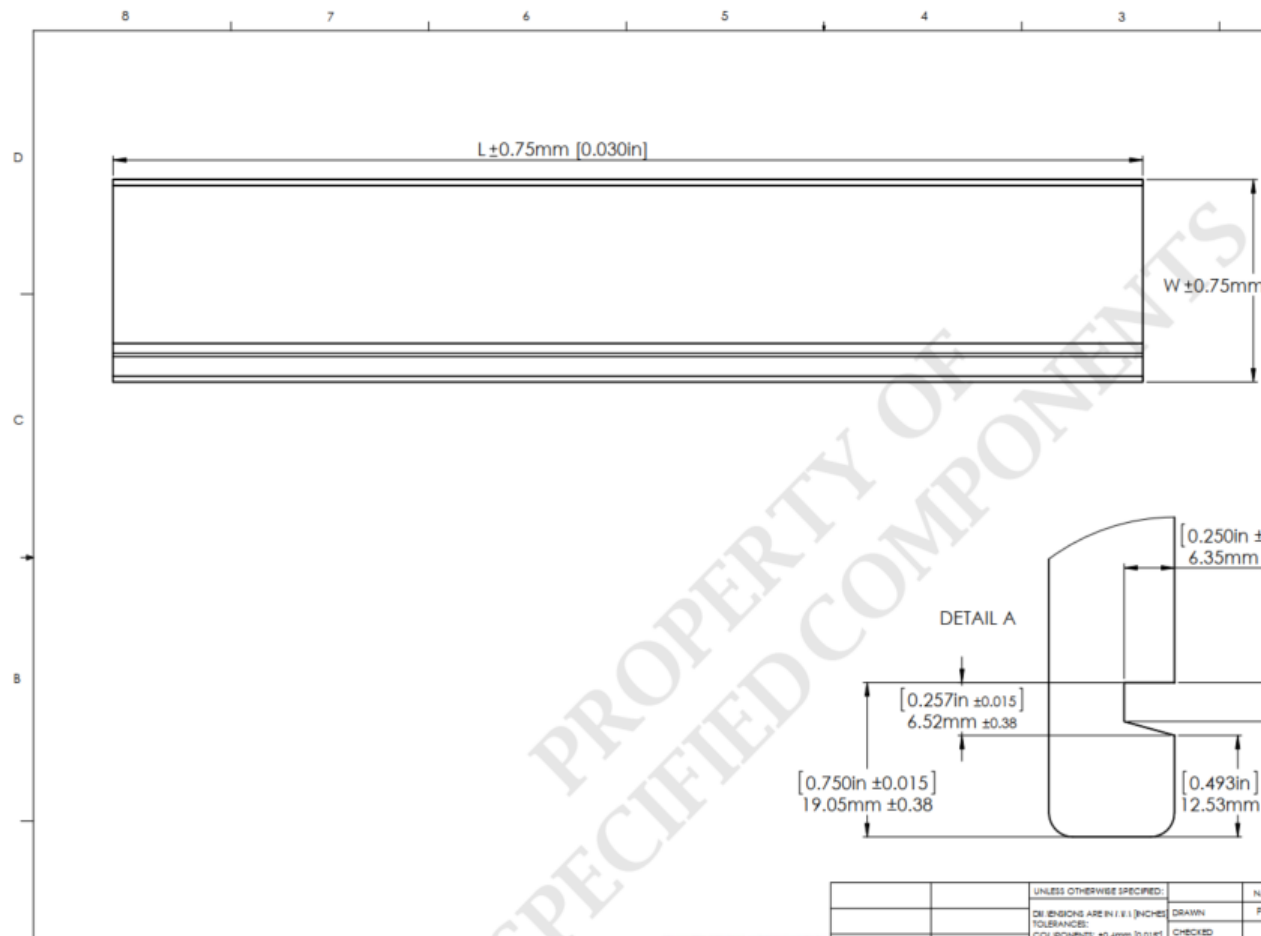




NOTE: Sold as full pa
 NOTE: All product su
 FOB: Minneapolis, M

Available as of 4,

Species	SCC Part No.	Description	Thick"	Width"	Length"	SF/PC	Qty (PCS)	Pcs/Pallet	No. of Plt
Poplar	WH-099.208	A/B Grade, Side	0.625	1.929	20.512	0.275	3600	450	8
Poplar	WH-099.219	A/B Grade, Side	0.625	3.937	20.512	0.561	22050	630	35
Poplar	WH-099.220	A/B Grade, Side	0.625	5.945	20.512	0.847	1350	450	3
Poplar	WH-099.221	A/B Grade, Side	0.625	7.913	17.520	0.963	8100	270	30
Poplar	WH-099.225	A/B Grade, F/B	0.625	2.008	47.992	0.669	3080	140	22



A



SPECIFIED
Components Co.
Global Sealing, Detection Solutions

PROPRIETARY AND CONFIDENTIAL
THE INFORMATION CONTAINED IN THIS
DRAWING IS THE SOLE PROPERTY OF
SPECIFIED COMPONENTS. ANY
REPRODUCTION IN PART OR AS A WHOLE
WITHOUT THE WRITTEN PERMISSION OF
SPECIFIED COMPONENTS IS
PROHIBITED.

		UNIT: POUNDS PER SQUARE INCH (PSI)	
		ASME (BLSD): 10.8mm (0.031")	ENG APPR.
		INTERPRET GEOMETRIC TOLERANCING PER:	I/FG APPR.
		DATUM:	Q.A.
NEXT ASSY	USED ON	FINISH	COI COMMENTS:
APPLICATION		DO NOT SCALE DRAWING	

8

7

6

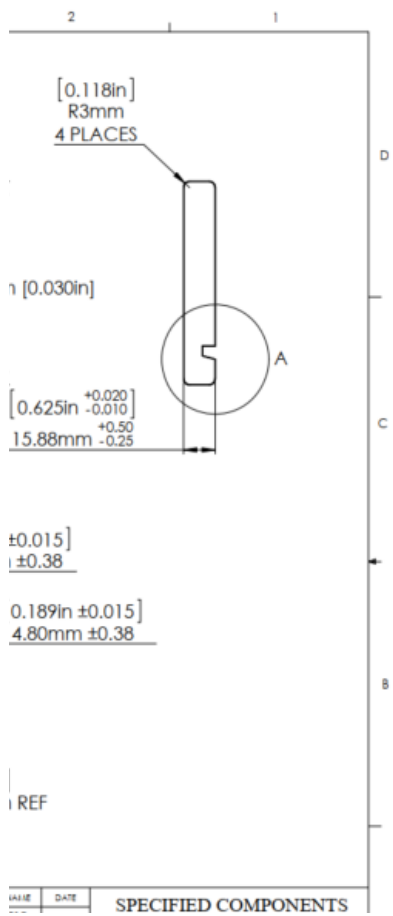
5

4

3

llet quantites only
 bject to prior sale
 IN

/26/22	
Price/PC	Price/SF
\$0.90	\$3.77
\$1.22	\$3.77
\$1.54	\$3.77
\$2.05	\$3.77
\$2.17	\$3.77
\$2.48	\$3.77
\$2.68	\$3.77
\$2.80	\$3.77
\$3.31	\$3.77
\$2.43	\$3.77
\$3.06	\$3.77
\$4.94	\$3.77
\$5.57	\$3.77
\$6.19	\$3.77
\$2.52	\$3.77

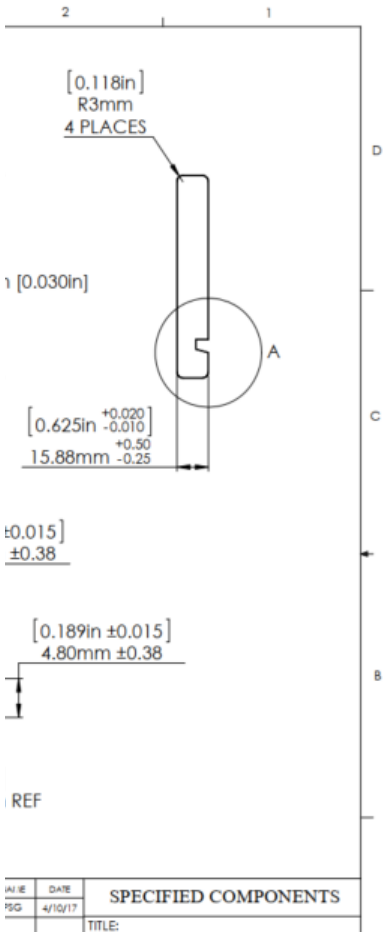


PSG	4/10/17	SPECIFIED COMPONENTS	
TITLE:		A	
Poplar Drawer			
Fronts and Backs			
SIZE	DWG. NO.	REV	
B	ST-DW-02-F&B	A	
SCALE: 1:1	WEIGHT:	SHEET 1 OF 1	
2	1	1	



llet quantites only
 bject to prior sale
 IN

/26/22	
Price/PC	Price/SF
\$1.04	\$3.77
\$2.11	\$3.77
\$3.19	\$3.77
\$3.63	\$3.77
\$2.52	\$3.77



Poplar Drawer Sides

A

SIZE	DWG. NO.	REV
B	ST-DW-02-S	A
SCALE: 1:1	WEIGHT:	SHEET 1 OF 1

2

1